

# Container Specification



# General Purpose Container

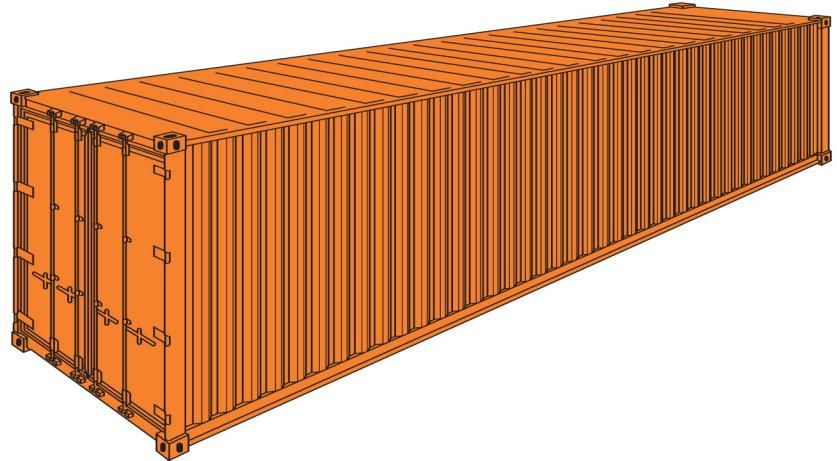
20'



Construction	Inside Dimensions			Door Opening		Weights			Capacity
	Length	Width	Height	Width	Height	Max. Gross	Tare	Max. Payload	
	mm ft	mm ft	mm ft	mm ft	mm ft	kg lbs	kg lbs	kg lbs	m <sup>3</sup> cu.ft
<b>8'6" high</b>									
Steel container with corrugated walls and wooden floor	5 895 19'4 <sup>1</sup> / <sub>8</sub> "	2 350 7'8 <sup>1</sup> / <sub>2</sub> "	2 392 7'10 <sup>1</sup> / <sub>8</sub> "	2 340 7'8 <sup>1</sup> / <sub>8</sub> "	2 292 7'6 <sup>1</sup> / <sub>4</sub> "	30 480 67 200	2 250 4 960	28 230 62 240	33,2 1172

# General Purpose Container

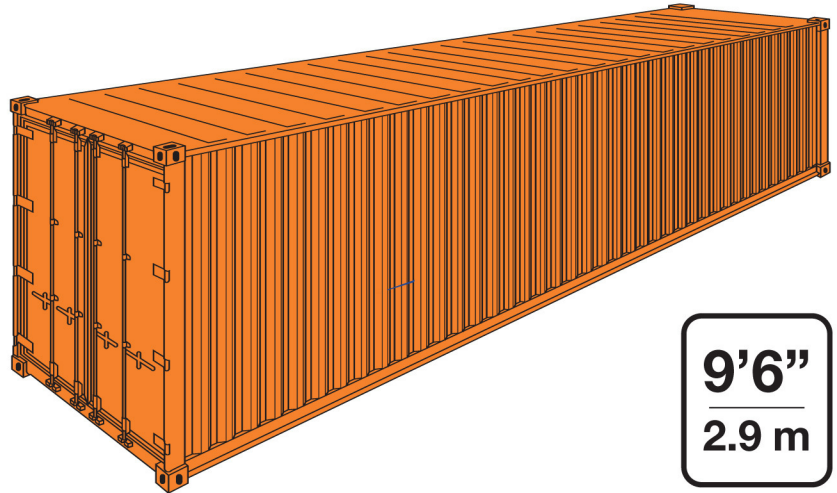
40'



Construction	Inside Dimensions			Door Opening		Weights			Capacity
	Length	Width	Height	Width	Height	Max. Gross	Tare	Max. Payload	
	mm ft	mm ft	mm ft	mm ft	mm ft	kg lbs	kg lbs	kg lbs	
<b>8'6" high</b>									m <sup>3</sup> cu.ft
Steel container with corrugated walls and wooden floor	12 029 39'5½"	2 350 7'8½"	2 392 7'10⅛"	2 340 7'8⅛"	2 292 7'6¼"	30 480 67 200	3 780 8 330	26 700 58 870	67,7 2 390

# High Cube General Purpose Container

40'



**9'6"**  

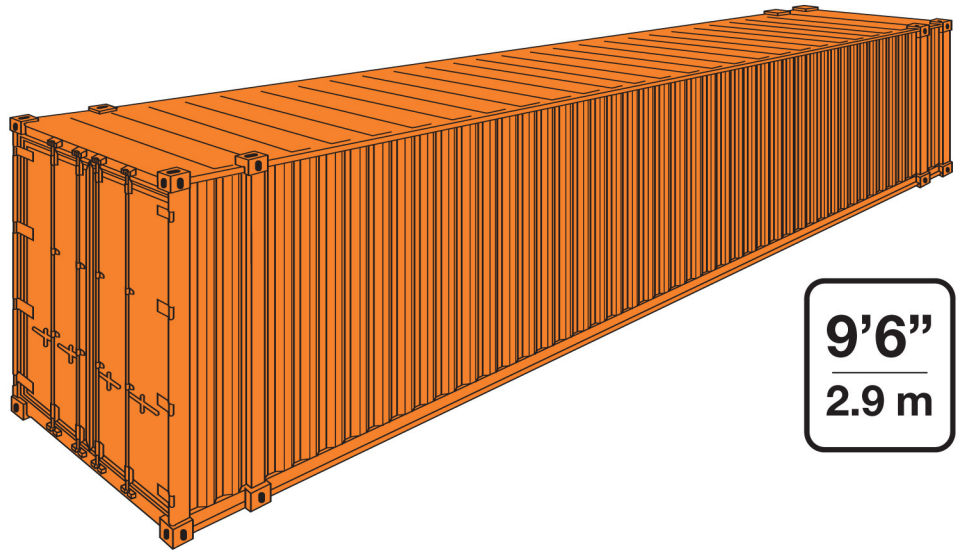

---

**2.9 m**

Construction	Inside Dimensions			Door Opening		Weights			Capacity
	Length	Width	Height	Width	Height	Max. Gross	Tare	Max. Payload	
	mm ft	mm ft	mm ft	mm ft	mm ft	kg lbs	kg lbs	kg lbs	
<b>9'6" high</b>									
Steel container with corrugated walls and wooden floor	12 024 39'5 <sup>3</sup> / <sub>8</sub> "	2 350 7'8 <sup>1</sup> / <sub>2</sub> "	2 697 8'10 <sup>1</sup> / <sub>8</sub> "	2 340 7'8 <sup>1</sup> / <sub>8</sub> "	2 597 8'6 <sup>1</sup> / <sub>4</sub> "	30 480 67 200	4 020 8 860	26 460 58 340	76,3 2 694

# High Cube General Purpose Container

45'



**9'6"**  


---

**2.9 m**

Construction	Inside Dimensions			Door Opening		Weights			Capacity
	Length	Width	Height	Width	Height	Max. Gross	Tare	Max. Payload	
	mm ft	mm ft	mm ft	mm ft	mm ft	kg lbs	kg lbs	kg lbs	m <sup>3</sup> cu.ft
<b>9'6" high</b> Steel container with corrugated walls and wooden floor	13 557 44'5¾"	2 353 7'8⅝"	2 700 8'10¼"	2 340 7'8⅞"	2 585 8'5¾"	30 420 67 064	4 820 10 626	25 660 56 570	86,1 3 041

# Hardtop Container

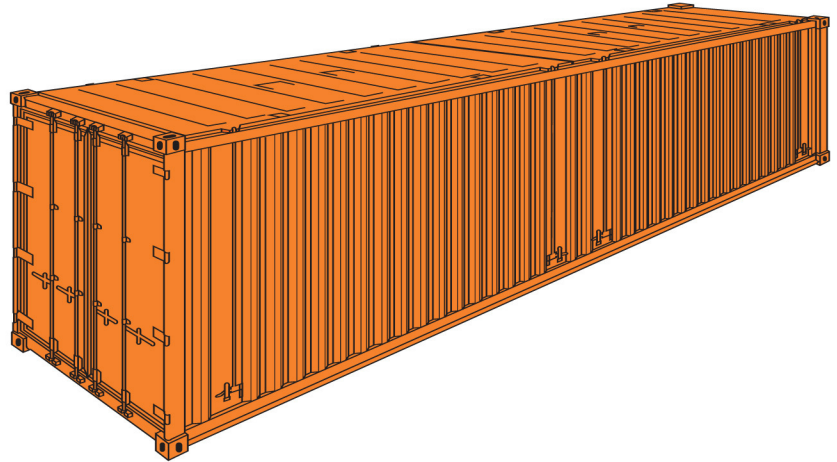
20'



Construction <b>8'6" high</b> Steel container with corrugated walls, wooden floor and removable steel roof	Inside Dimensions				Weights			Capacity
	Length	Width	Height		Max. Gross kg lbs	Tare kg lbs	Max. Payload kg lbs	
			Middle mm ft	Side mm ft				m <sup>3</sup> cu.ft
	5 886 19'3 <sup>3</sup> / <sub>4</sub> "	2 342 7'8 <sup>1</sup> / <sub>8</sub> "	2 388 7'10"	2 313 7'7"	30 480 67 200	2 700 5 950	27 780 61 250	32,8 1160

# Hardtop Container

40'



Construction <b>8'6" high</b> Steel container with corrugated walls, wooden floor and removable steel roof	Inside Dimensions				Weights			Capacity m <sup>3</sup> cu.ft
	Length	Width	Height		Max. Gross kg lbs	Tare kg lbs	Max. Payload kg lbs	
			Middle mm ft	Side mm ft				
	12 020 39'5¼"	2 342 7'8⅛"	2 388 7'10"	2 313 7'7"	30 480 67 200	4 700 10 360	25 780 56 840	67,2 2374

# Open Top Container

20'

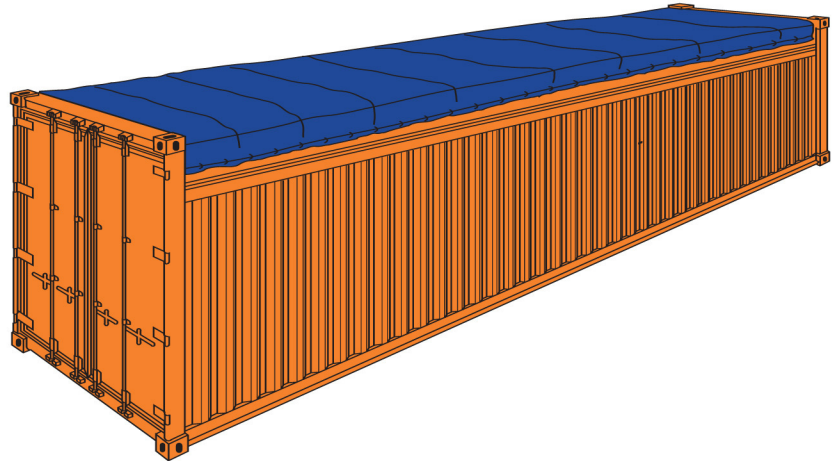


Construction <b>8'6" high</b> Steel container with corrugated walls, wooden floor and removable tarpaulin	Inside Dimensions				Weights			Capacity m <sup>3</sup> cu.ft
	Length	Width	Height		Max. Gross kg lbs	Tare kg lbs	Max. Payload kg lbs	
			Middle mm ft	Side mm ft				
	5 888 19'3 <sup>3</sup> / <sub>4</sub> "	2 345 7'8 <sup>1</sup> / <sub>8</sub> "	2 365 7'9"	2 315 7'7 <sup>1</sup> / <sub>8</sub> "	30 480 67 200	2 250 4 960	28 230 62 240	32,0 1 130



# Open Top Container

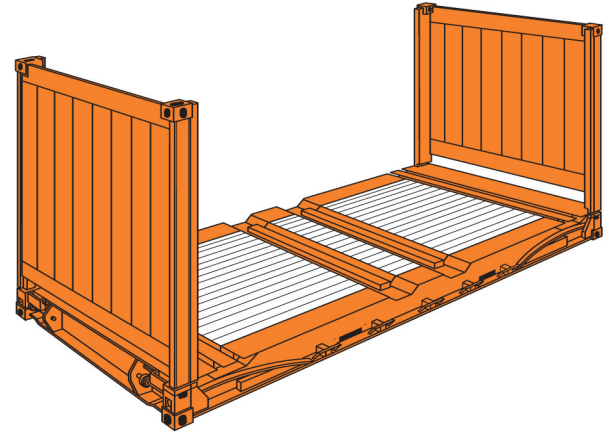
40'



Construction <b>8'6" high</b> Steel container with corrugated walls, wooden floor and removable tarpaulin	Inside Dimensions				Weights			Capacity
	Length	Width	Height		Max. Gross kg lbs	Tare kg lbs	Max. Payload kg lbs	
			Middle mm ft	Side mm ft				m <sup>3</sup> cu.ft
	12 022 39'5 1/4"	2 345 7'8 1/8"	2 365 7'9 1/8"	2 315 7'7 1/8"	30 480 67 200	3 740 8 245	26 740 58 955	65,3 2 306

# Flat - All Types

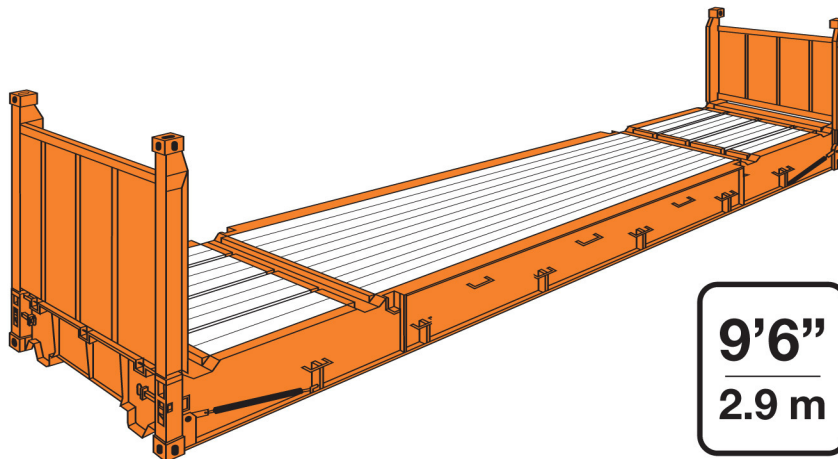
20'



Construction	Inside Dimensions						Weights		
	Length between panels mm ft	Length between posts mm ft	Width between posts mm ft	Width over bott side rails mm ft	Height floor to top face mm ft	Height of bottom mm ft	Max. Gross kg lbs	Tare kg lbs	Max. Payload kg lbs
<b>8'6" high</b>									
Steelframe with collapsible endwalls and softwood floor	5 950 19'6 1/4"	5 644 18'6 1/8"	2 224 7'3 1/2"	2 194 7'2 7/8"	2 226 7'3 5/8"	370 1'2 1/2"	33 000 72 752	2 850 6 238	30 150 66 469
Flat/Platform with flushfolding endwalls and softwood floor	6 038 19'9 3/4"	5 638 18'6"	2 226 7'3 5/8"	2 208 7'2 3/8"	2 235 7'4"	370 1'2 1/2"	30 480 67 200	2 520 5 560	27 960 61 64

# High Cube Flat

40'

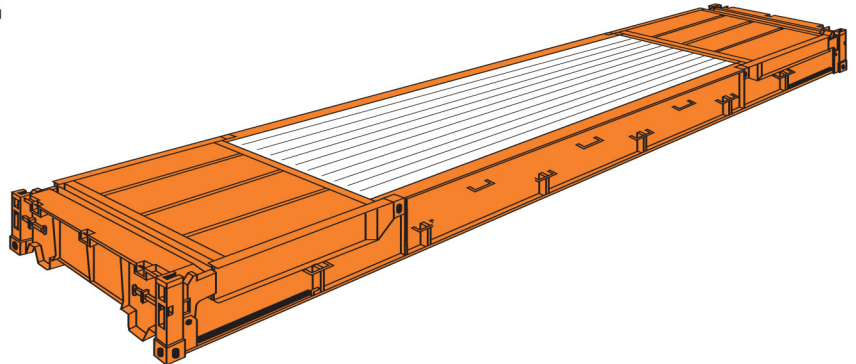
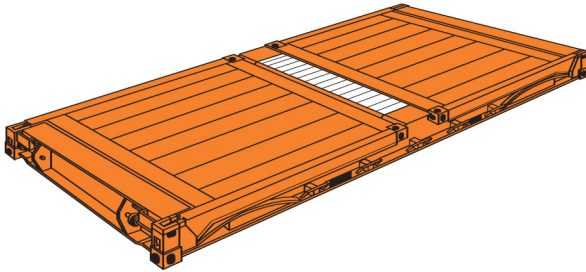


**9'6"**  
**2.9 m**

Construction	Inside Dimensions						Weights		
	Length of floor	Length between posts	Width of floor	Width between side rails	Height floor to top face	Height of bottom	Max. Gross	Tare	Max. Payload
<b>9'6" high</b>	mm ft	mm ft	mm ft	mm ft	mm ft	mm ft	kg lbs	kg lbs	kg lbs
Steelframe with collapsible flush-folding endwalls – can be converted to a platform	12 060 39'6 <sup>3</sup> / <sub>4</sub> "	11 660 38'3 <sup>1</sup> / <sub>8</sub> "	2 365 7'9 <sup>1</sup> / <sub>8</sub> "	2 200 7'2 <sup>5</sup> / <sub>8</sub> "	2 245 7'4 <sup>3</sup> / <sub>8</sub> "	648 2'1 <sup>1</sup> / <sub>2</sub> "	45 000 99 210	5 700 12 570	39 300 86 640

# Flat-Collapsible and/or Convertible into a Platform

20'/40'



Construction	Inside Dimensions			Weights		Max. Payload
	Length	Width	Height of bottom	Max. Gross	Tare	
	mm ft	mm ft	mm ft	kg lbs	kg lbs	
<b>1'11/4" high 20'</b>	6 058 20'	2 438 8'	370 1'21/2"	30 480 67 200	2 520 5 560	27 960 61 640
Steel container with collapsible flushfolding endwalls – can be converted to a platform						
<b>2' high 40'</b>	12 192 40'	2 245 7'43/8"	648 2'11/2"	45 000 99 210	5 700 12 570	39 300 86 640
Steel container with collapsible flushfolding endwalls – can be converted to a platform						

# Essential Conversion Factors

Multiply Number of	by	to obtain equivalent Number of
Inches/in	25.4	Millimetres/mm
Feet/ft	0.3048	Metres/m
Millimetres/mm	0.0394	Inches/in
Metres/m	3.281	Feet/ft
Sq. Metres/m	10.7639	Sq. Feet/ft
Sq. Feet/ft	0.0929	Sq. Metres/m
Cu. Feet/ft	0.0283	Cu. Metres/m
Cu. Metres/m	35.315	Cu. Feet/ft
Litres	0.0353	Cu. Feet/ft
Cu. Feet/ft	28.317	Litres
Litres	0.2642	U.S. Gallons
U.S. Gallons	3.785	Litres
Litres	0.22	U.K. Gallons
U.K. Gallons	4.5461	Litres
U.K. Gallons	1.2001	U.S. Gallons
U.S. Gallons	0.8327	U.K. Gallons
Kilograms/kg	2.2046	Pounds/lb
Pounds/lb	0.4536	Kilograms/kg
Long Tons (2240 lb)	1.01605	Tonnes (2204.62 lb)
Tonnes (1000 Kg)	0.9842	Long Tons (1016.05 Kg)
Bar	14.504	PSI
PSI	0.06895	Bar
Inches HG	0.4912	PSI
PSI	2.036	Inches HG
Kg/sq. cm	14.223	PSI
PSI	0.0703	Kg/sq. cm
Kg/sq. cm	0.9807	Bar
Bar	1.02	Kg/sq. cm
Kg/sq. cm	28.976	Inches HG
Inches HG	0.0345	Kg/sq. cm